



# SPECIFICATION



## CONFIGURATIONS

2 TRACK, 3 TRACK, QUAD TRACK

## SIGHTLINES

INTERLOCK 20 MM

## GLAZING

MAX. 30 MM, MIN. 26 MM DOUBLE GLAZED

## MAXIMUM SASH DIMENSIONS

WIDTH (L) 2500 MM, HEIGHT (H) 3000 MM

## MAXIMUM SASH WEIGHT

320 KG

## COLOUR

POWDER COATING RAL FINISH  
STANDARD 7016M, 9005M, 9016G  
AVAILABLE IN 150+ RAL FINISHES  
TEXTURED FINISH AVAILABLE  
SPLIT COLOR FOR INTERIOR/EXTERIOR  
WOOD EFFECT POWDER COATING  
ANODIZED ALUMINIUM

## BFRC Rating

kWh/(m<sup>2</sup>.yr)

≥20	A ++
>10 to 20	A +
0 to <10	A ✓
-10 to <0	B
-20 to <-10	C
-30 to <-20	D
-50 to <-30	E

## FEATURES

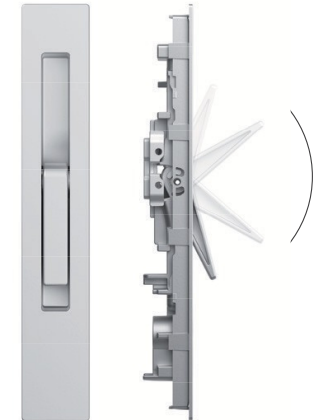
Transmittance		Uw ≥ 1.3 (W/m <sup>2</sup> K)
Acoustic insulation		Rw up to 41 dB
Air permeability		Class 4
Water tightness		Class 7A
Wind resistance		Class C5



INTERLOCK HANDLE



SECURITY  
HARDWARE



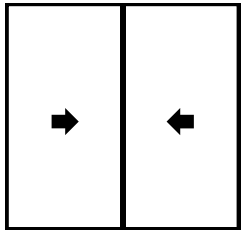
FLUSH SECURITY  
HARDWARE



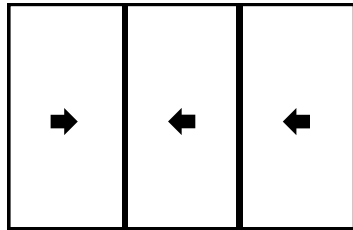
# CONFIGURATIONS



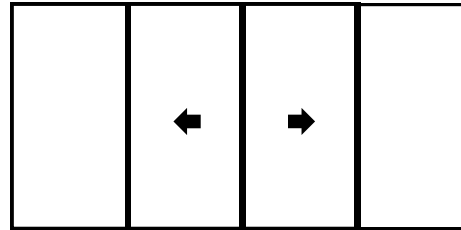
2 PANE



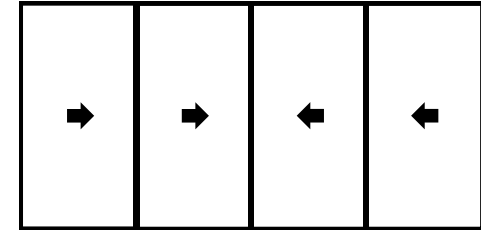
3 PANE



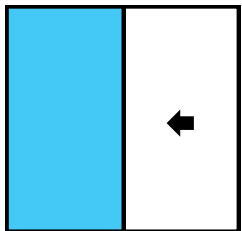
4 PANE



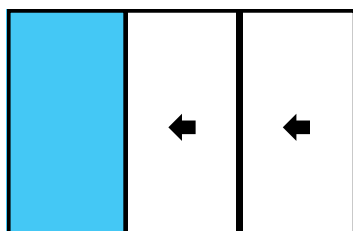
QUAD TRACK



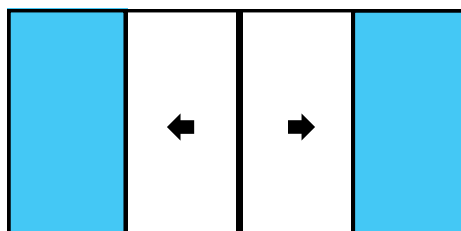
1 PANE POCKET



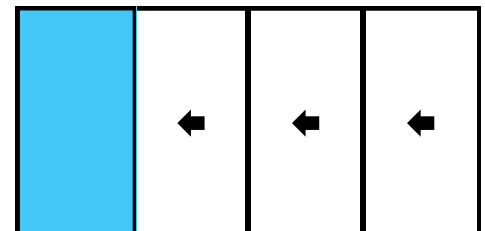
2 PANE POCKET



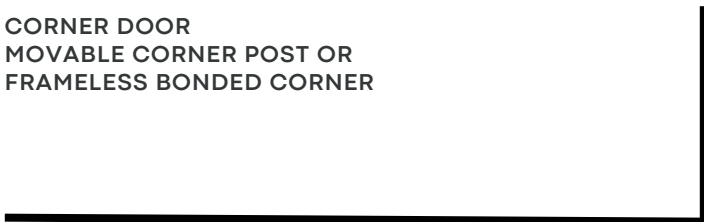
2 PANE POCKET



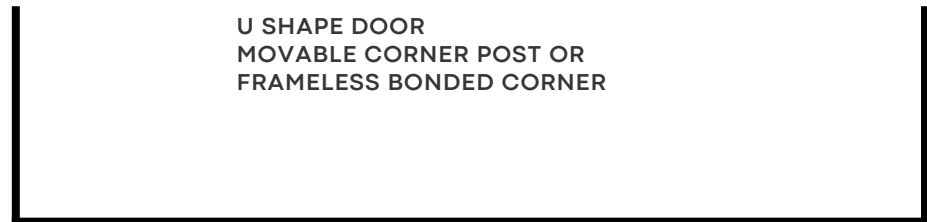
3 PANE POCKET



CORNER DOOR  
MOVABLE CORNER POST OR  
FRAMELESS BONDED CORNER



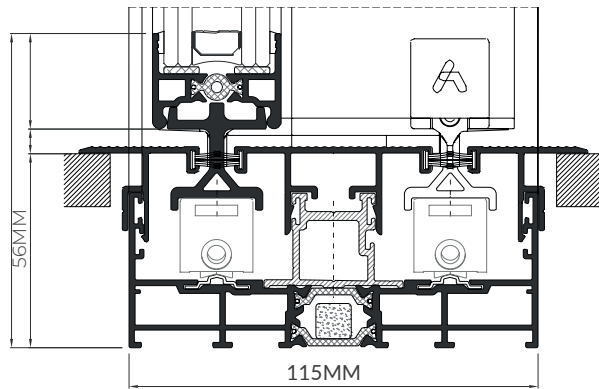
U SHAPE DOOR  
MOVABLE CORNER POST OR  
FRAMELESS BONDED CORNER



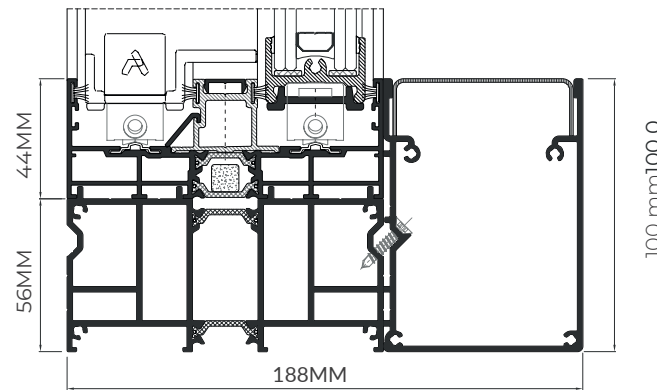
# CONFIGURATIONS



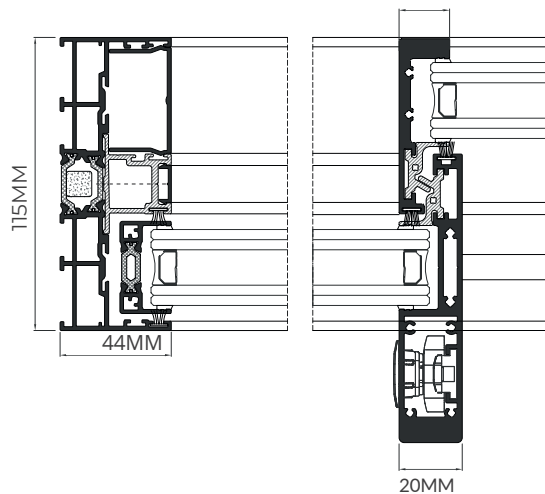
**HIDDEN TRACK SOLUTION**



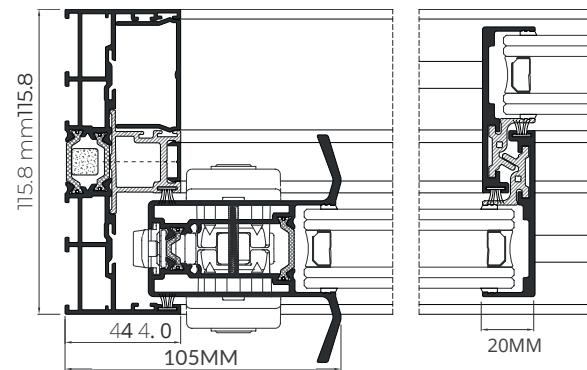
**BESPOKE DRAINAGE SOLUTION**



**INTERLOCK HANDLE**



**DOUBLE TRACK**



# HARDWARE



**GREY 7016**   **BLACK 9005**   **WHITE 9016**   **LIGHT SILVER**   **DARK SILVER**   **CUSTOM RAL**

Thermally broken minimalist sliding system that provides maximum luminosity with a minimal aluminium interlock profile. It has an elegant design only 20 mm sightline and offers the possibility of an inlaid closing system and of hiding the frame along the perimeter.

Possibility of locking system in the interlock, thus allowing the concealment of the sashes in the frame from a frontal view. Possibility of embedded locking system which facilitates the sashes crossing.



**INTERLOCK HANDLE**



**SECURITY  
HARDWARE**

**FLUSH SECURITY  
HARDWARE**



